



Development Process

Trevor Cahoon

Community Services Director

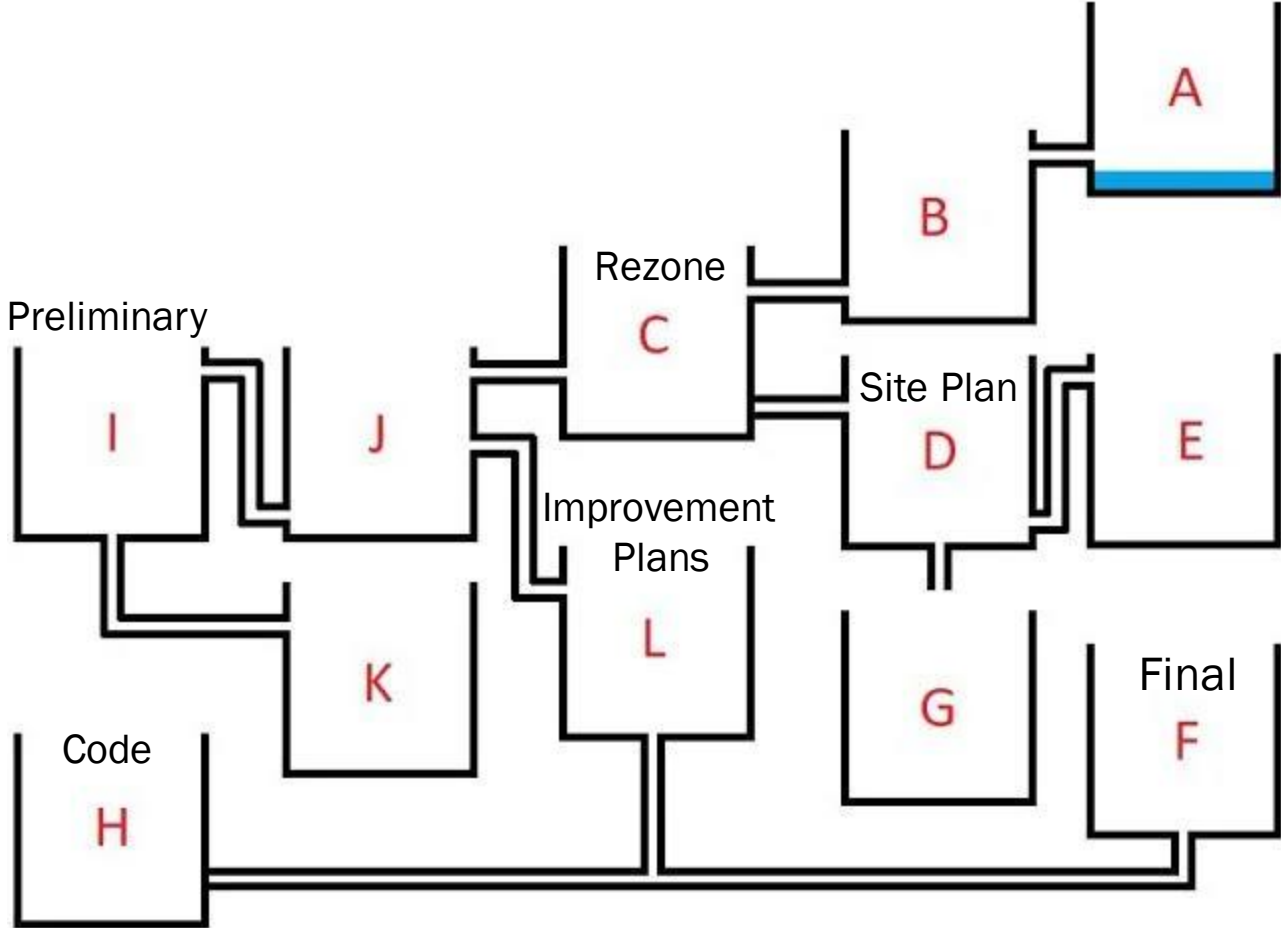
November 29, 2022

Overview



We wanted to take the opportunity to talk through the development process, so we are all on the same page on how we process land use applications.

Which one will fill first?

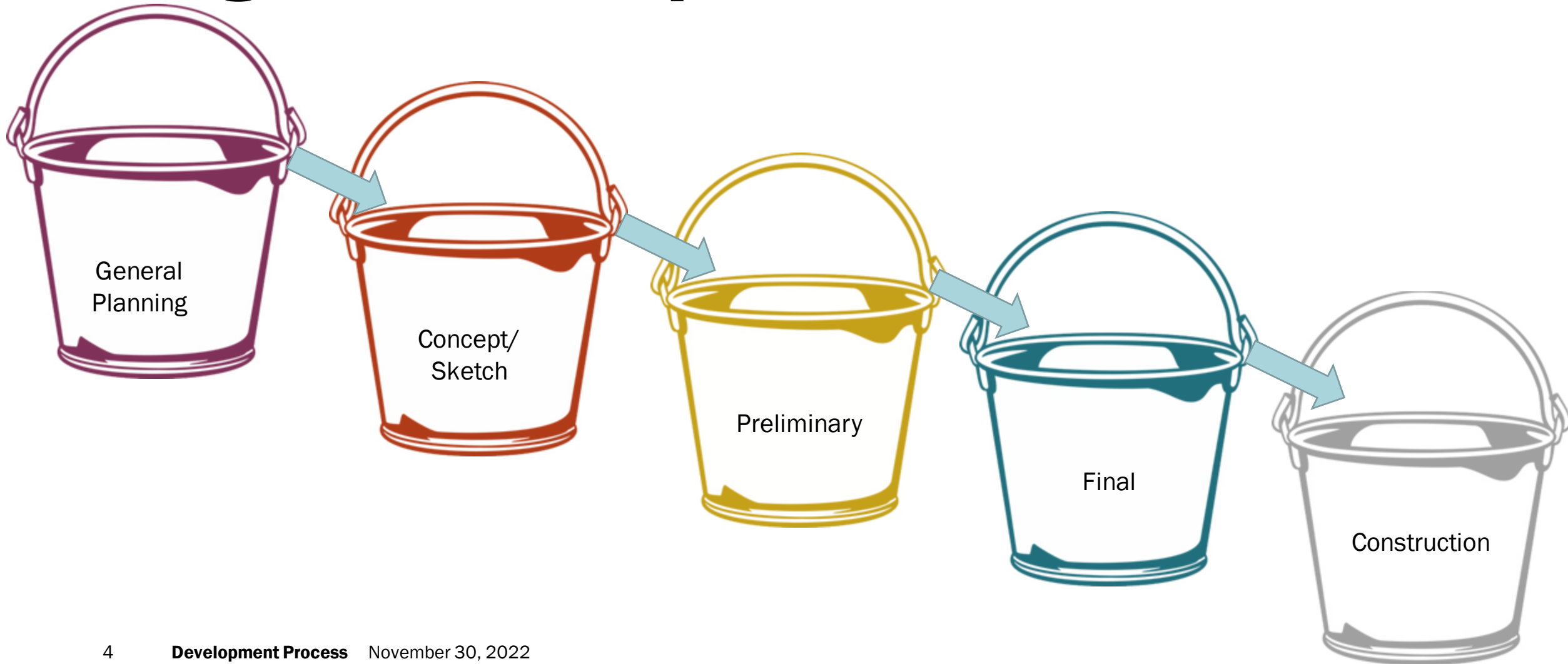


Overview

We are hoping to help solidify that process and understand the stages of development.



Stages of Development



Fill the Bucket

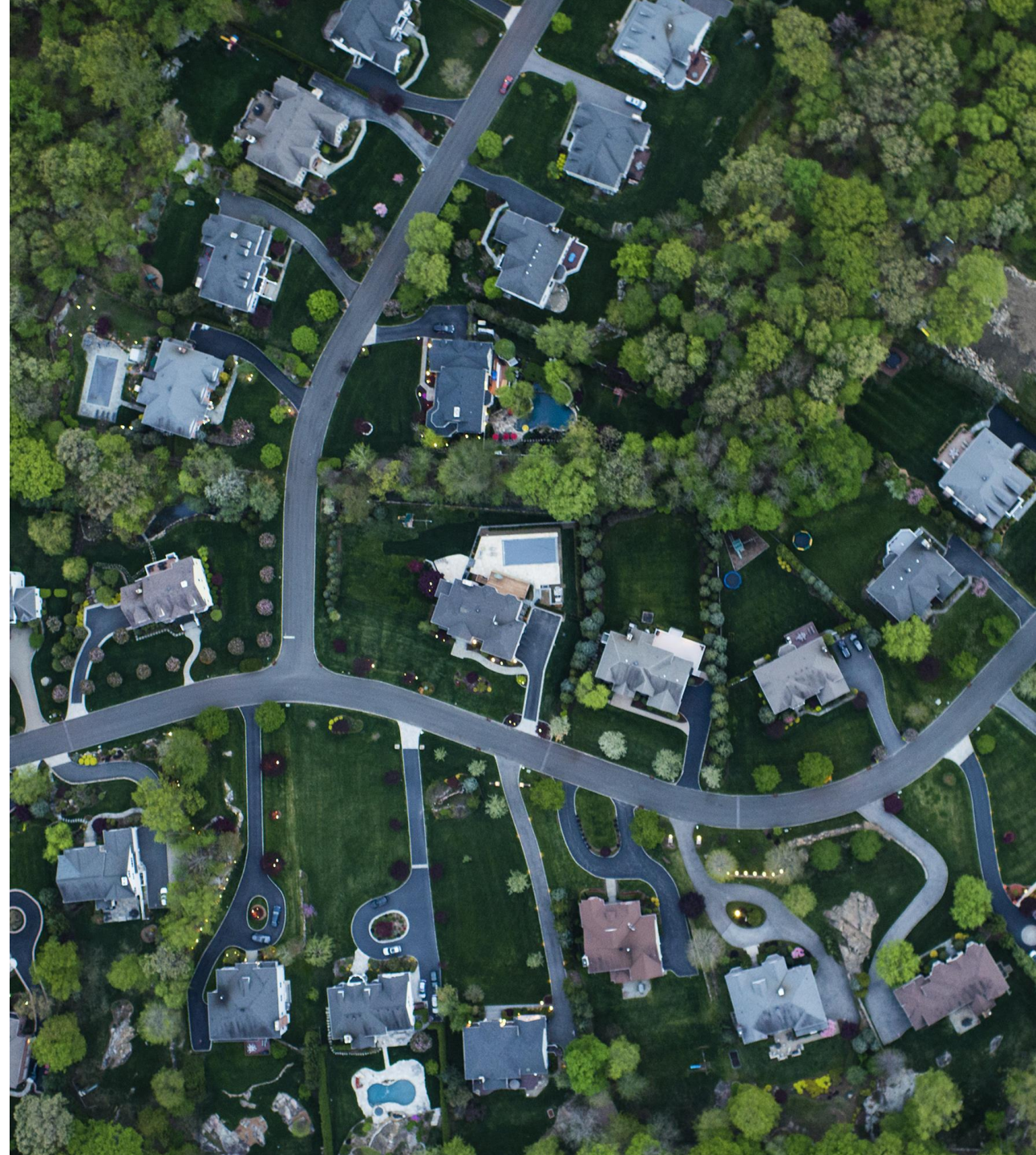
Staff when we get a development we look to see if all the buckets are filled and what is missing which leaves us the steps that are needed to take.

So the Majority of the time we are just going to talk about filling buckets



Small Caveat

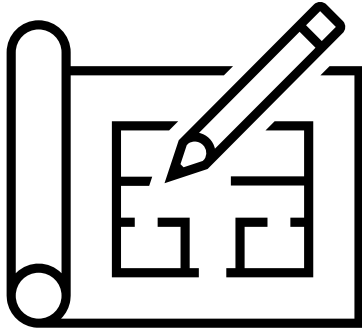
In general we talk about the development process almost synonymously with the Subdivision Process. We need to be careful because it doesn't necessarily have to go through the subdivision process.



Items That Can Be Separate



Rezone



Site Plan



Landscape Plan



Architectural Review

Stages of Development

